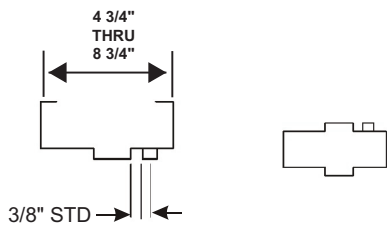
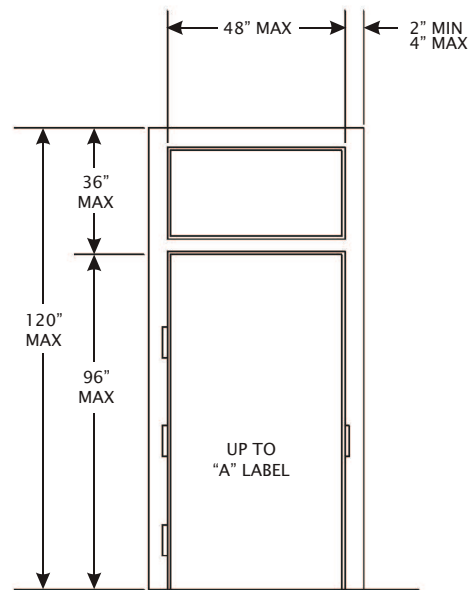
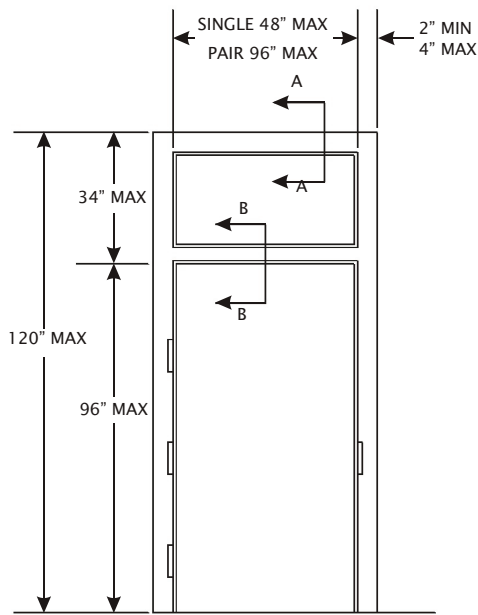


TECHNICAL DATA SHEET

F - 900 - 30
UL TRANSOM

UNDERWRITERS LABORATORIES APPROVED TRANSOM FRAMES



MATERIAL: 16 GA C.R. STEEL
JAMB DEPTH: 4 3/4" MIN - 8 3/4" MAX

Issue Date: January 2006

REVISED : 02/01/2009

